

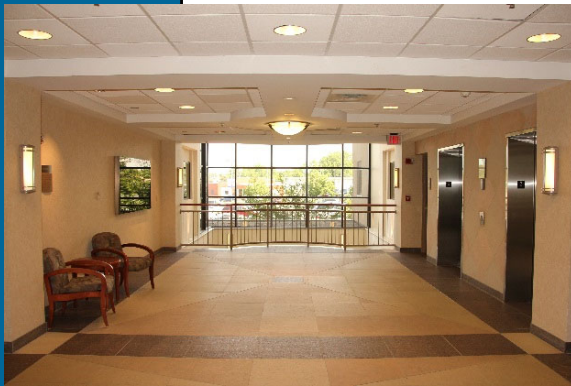
Medical Office Space **FOR LEASE**



**770 High Street
Professional Office Building**

St. Rita's Medical Center – Lima, Ohio

770 High Street Professional Building is a handsome facility located at the hub of St. Rita's medical office building complex on North Street. It's main entrance features a covered patient drop-off area that leads into a 4-story atrium. The building's lobby, adjacent to the atrium, has a classic character that presents a professional image to patients and visitors. The upper-floor lobbies have balconies that overlook the atrium. Two hospital-sized elevators provide convenient access to each floor. The second floor lobby is the cross-roads of the



medical complex, where climate-controlled pedestrian skyway bridges link to the Parking Garage, adjacent medical office buildings and St. Rita's Medical Center. Adequate surface parking ensures convenient access for patients and visitors. Staff can park in the connected five-story Parking Garage.

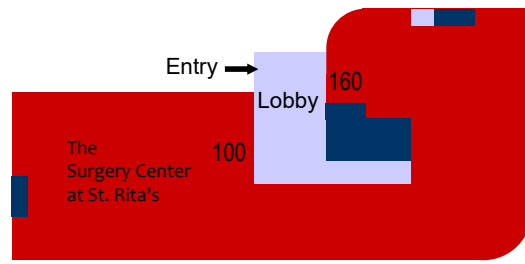


Contact: Paul Quick – RE Broker
Capstone Quadrangle

N17 W24222 Riverwood Drive, Suite 160, Waukesha, WI 53188
262-523-1122 Direct / 262-523-1199 Fax
www.CapstoneQuadrangle.com

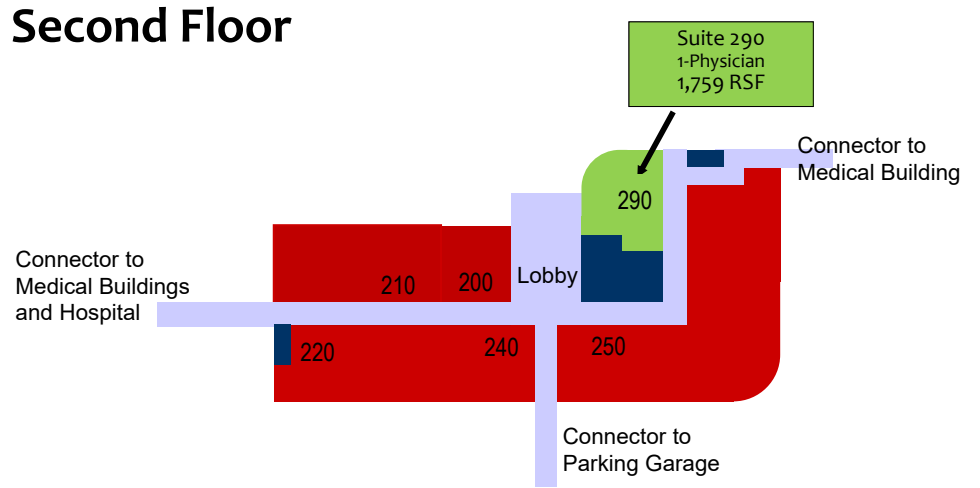
First Floor

North St. Parking Lot

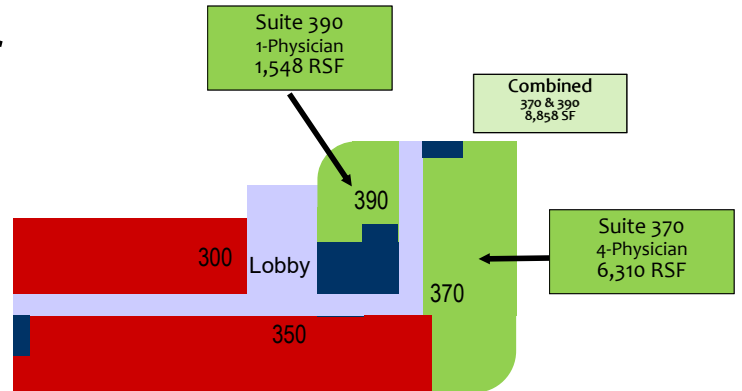


Second Floor

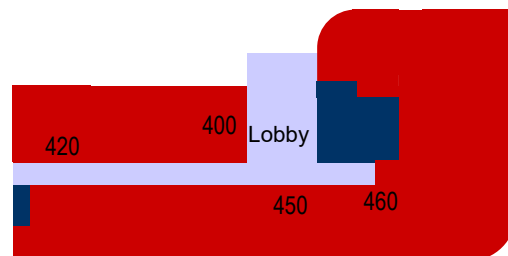
- Committed
- Available



Third Floor



Fourth Floor



Paul Quick, Broker

Capstone Quadrangle

N17 W24222 Riverwood Drive

Suite 160

Waukesha, WI 53188

262-523-1122 Office

www.CapstoneQuadrangle.com